



Specification

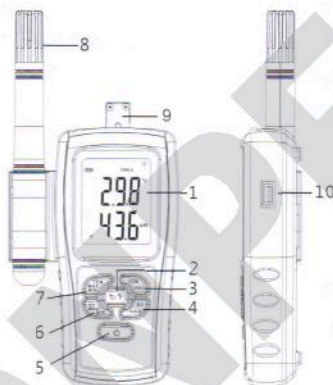
| Items | Measuring range | Resolution | Response time | Response time |
|-----------------------------|-----------------|------------|-----------------|---------------|
| Temperature on thermocouple | -50 ~ 1200°C | 0.1°C | ±2.0°C or ±0.4% | 30S |
| Environment temperature | -10 ~ 50°C | 0.1°C | ±1.0°C | 30S |
| Environment RH | 0~99.9%RH | 0.1%RH | ±5% | 6S |
| Dew point temperature | -20 ~ 50°C | 0.1°C | ±2°C | 30S |
| Wet bulb temperature | -20 ~ 50°C | 0.1°C | ±2°C | 30S |

LCD display

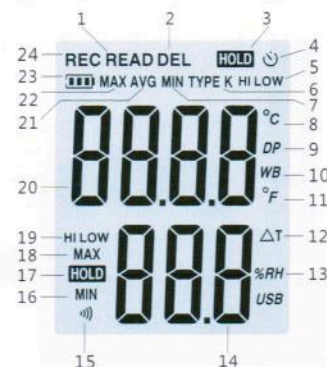
1. Data access
2. Data deleting
3. Temperature reading lock
4. Auto turning off
5. Alarming for over high/ low temperature value preset
6. Heat coupling
7. Minimum temperature value
8. Celsius temperature
9. Dew point temperature
10. Wet Bulb temperature
11. Fahrenheit temperature
12. Record interval
13. Humidity unit
14. Humidity display
15. Sound alarm
16. Minimum humidity
17. Humidity lock
18. Maximum humidity reading
19. Over high/low humidity alarm
20. Temperature display
21. Average temperature
22. Maximum temperature value
23. Battery volume
25. Data record

Components

1. LCD
2. Switch key between temperature units
3. Hold key for temperature reading/Up key
4. Hold key for humidity reading/Down key
5. On/off and backlight key
6. Key to pick up max and/or min humidity reading
7. Key to pick up max and/or min temperature reading
8. Temperature/humidity sensor
9. K-type heat couple
10. Interface with humidity and temperature sensor



interface with humidity and temperature sensor



Temperature/humidity sensor